



SINGLE BASIN FAUCET

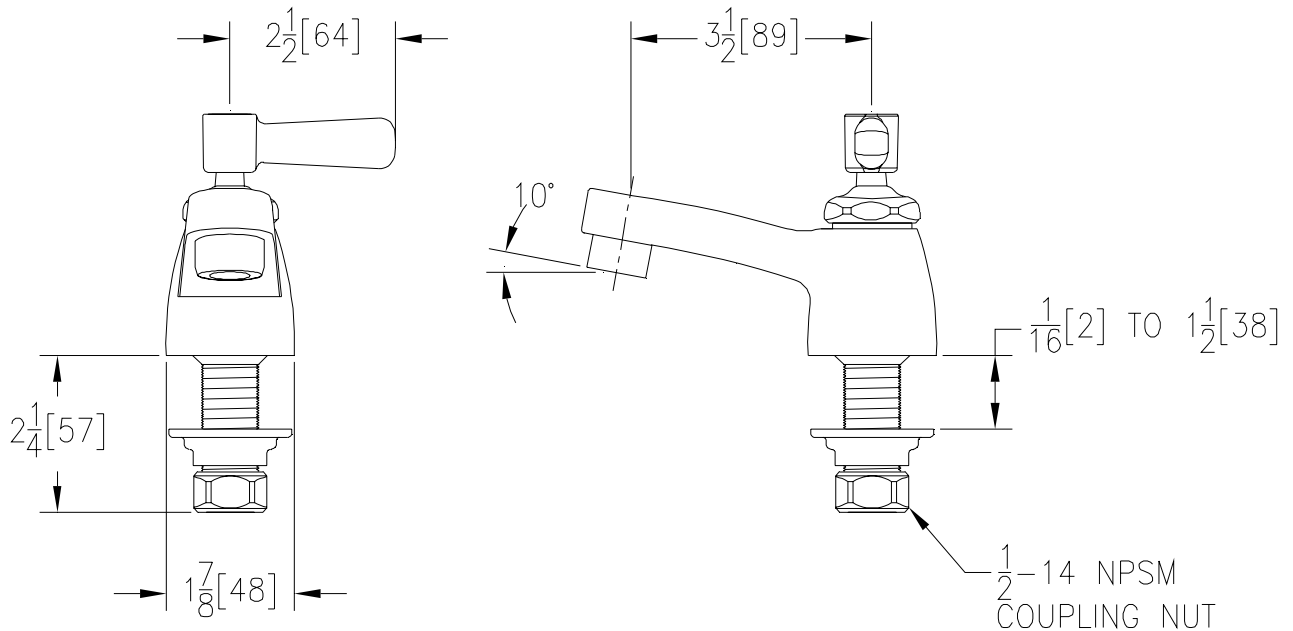
Z82701

TAG _____



Engineering Specifications: Zurn AquaSpec® Z82701

Polished chrome-plated single basin faucet with integral shank, quarter turn ceramic disc cartridge and a 3-1/2" [89mm] long integral cast spout. Unit is furnished with a 2.0 GPM [7.6 L] pressure compensating aerator (complying with ANSI A112.18.1 Standard for flow), 2-1/2" [64mm] vandal-resistant color-coded brass lever handle, mounting hardware and a 1/2" NPSM coupling nut for standard lavatory riser.



Note: All dimensions are for reference only. Do not use for pre-plumbing

OPTIONAL ACCESSORIES

Suffix	Description
— -HCT	Hot/Cold Text Indexes
— -G	1-1/4" [32mm] Grid Strainer Drain
— -MYCS	Mixing Yoke with 1/2"[13mm] Check Stop Inlets
— -PT	1-1/4" [32mm] Cast Brass P-Trap with a 7-1/2" [191mm] Long 17-Gauge Wall Bend
— -2M	2.0 GPM [7.6 L] Vandal-Resistant Pressure Compensating Male Aerator
— -3M	0.5 GPM [1.9 L] Vandal-Resistant Pressure Compensating Male Aerator

ZURN INDUSTRIES, INC. ♦ COMMERCIAL BRASS OPERATION ♦ 2640 SOUTH WORK STREET ♦ FALCONER NY 14733

Phone: 1-716-665-1132 ♦ Fax: 1-716-665-1135 ♦ World Wide Web: www.zurn.com

In Canada: ZURN INDUSTRIES LIMITED ♦ 3544 Nashua Drive ♦ Mississauga, Ontario L4V1L2 ♦ Phone: 905/405-8272 Fax: 905/405-1292