

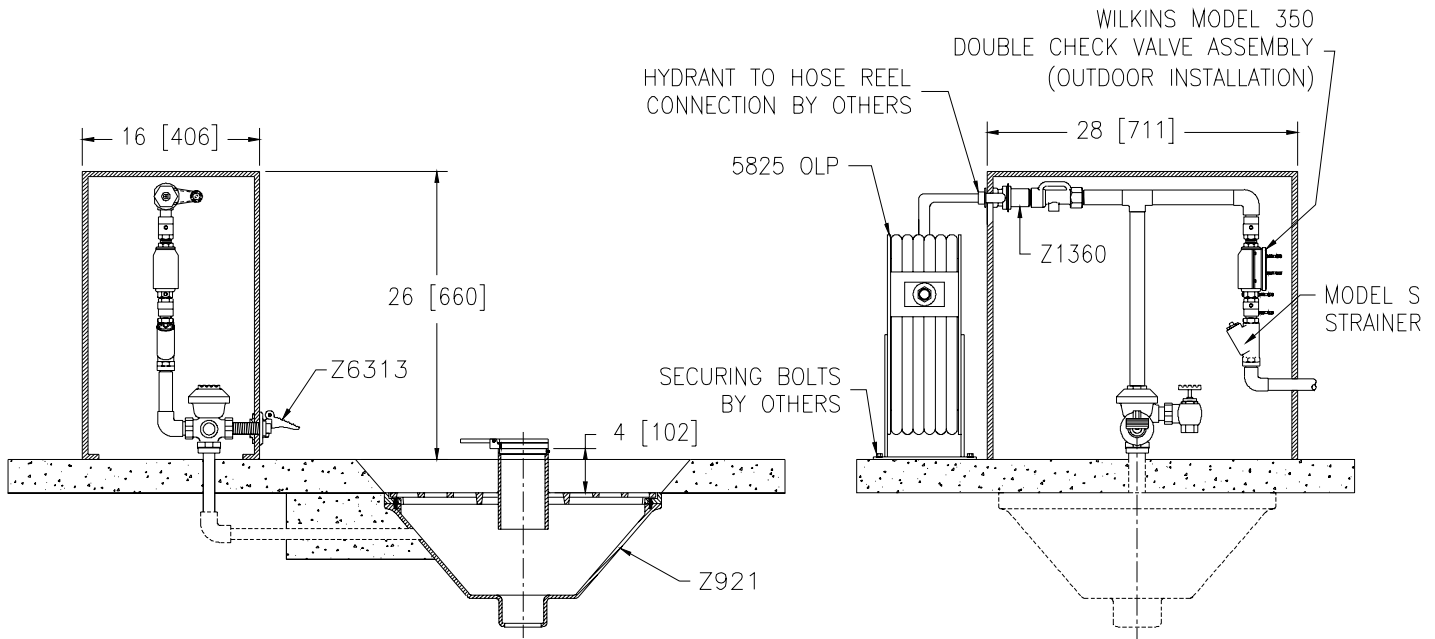


Z920 RECREATIONAL VEHICLE SANITARY DUMPING DRAIN

SPECIFICATION SHEET

TAG _____

Dimensional Data (inches and [mm]) are Subject to Manufacturing Tolerances and Change Without Notice



ENGINEERING SPECIFICATION: ZURN Z920

Sanitary Dump Station, acid resistant epoxy coated fabricated steel box, with freeze-proof hydrant (Z1360), EPA approved backflow preventer (Z350), foot pedal operated flush valve (Z6313), hinged front access panel with locking mechanism for securing with pad lock (by others) and hose reel with hose (5825 OLP). Thoroflush Drain, cast iron body with white acid resistant coated interior and Dura-Coated exterior, bottom outlet, and nickel bronze top frame and grate with flushing connection in body, 4 [102] waste receptacle with hinged cover/foot pedal (Z921).

| | | |
|-----------------------|-------------------------|-----------------------|
| REV. C | DATE: 9/21/05 | C.N. NO. 93799 |
| DWG. NO. 67089 | PRODUCT NO. Z920 | |

*REGULARLY FURNISHED UNLESS OTHERWISE SPECIFIED