



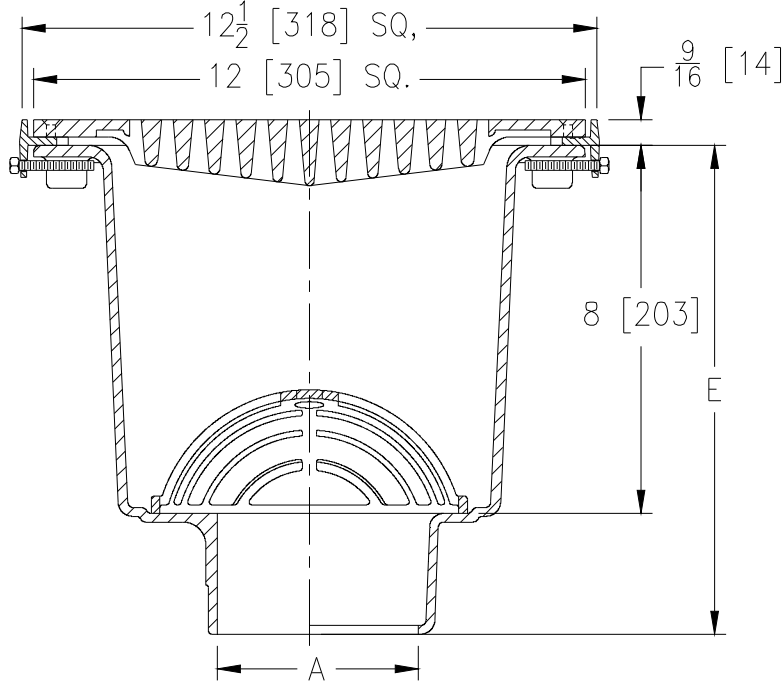
ZS1901-HD

12-1/2 X 12-1/2 [318 X 318] A.R.E. SANI-FLOR RECEPTOR
8 [203] SUMP DEPTH W/ STAINLESS STEEL FRAME &
X-HEAVY DUTY STAINLESS STEEL GRATE

SPECIFICATION SHEET

TAG _____

Dimensional Data (inches and [mm]) are Subject to Manufacturing Tolerances and Change Without Notice



A- Pipe Size In.	Approx. Wt. Lbs. [kg]	Grate Open Area Sq. In. [cm ²]
2-3-4 [51-76-102]	34 [15]	22 [142]

ENGINEERING SPECIFICATION: ZURN ZS1901-HD

Sani-Flor Receptor 12-1/2 x 12-1/2 x 8 [318 x 318 x 203] deep cast iron body with white acid resisting porcelain enamel interior with stainless steel frame and X-heavy duty stainless steel grate, complete with ABS anti-splash interior bottom dome strainer.

OPTIONS (Check/specify appropriate options)

PIPE SIZE

(Specify size/type) **OUTLET**

'E' BODY HT. DIMENSION

2-3-4 [51-76-102]	IC Inside Caulk	11-1/8 [283]
<u>2-3-4 [51-76-102]</u>	<u>2"</u> NH No-Hub	<u>11-1/8 [283]</u>
2-3-4 [51-76-102]	NL Neo-Loc	10-1/2 [267]

PREFIXES

X ZS Cast Iron Body with White A.R.E. Interior, 12-1/2 [318] Square Stainless Steel Frame and Full Grate with 1/4 [6] Openings*

SUFFIXES

___ -K	Seepage Flange with Seepage Holes	___ -25	White A.R.C. Bucket
___ -KC	Seepage Flange with Seepage Holes and Clamp Collar	___ -31	Stainless Steel Mesh Liner for Bucket
___ -LD	(Less) Internal Bottom Dome Strainer	___ -32	Aluminum Dome Strainer
___ -P	1/2 [13] Threaded Trap Primer Connection (See Z1023)	___ -33	White A.R.C. Anti-Splash Bottom Dome Strainer
___ -SA	Stabilizer Assembly (See Z1903)	___ -34	N.B. Anti-Splash Bottom Dome Strainer
___ -TC	Neo-Loc test Cap Gasket (2-4 [51-102] Dia. NL Bottom Outlet Only)		
___ -VPS	Vandal-Proof Strainer		
___ -2	1/2 Grate		
___ -3	3/4 Grate		
___ -4	Full Grate w/ Center Opening 3-1/32 [77] Square		
___ -11	Vandal Proof Secured Grate		
___ -23	Aluminum Bucket		

*REGULARLY FURNISHED UNLESS OTHERWISE SPECIFIED

REV. B DATE: 08/02/11 C.N. NO. 121777

DWG. NO. 59903 PRODUCT NO. ZS1901-HD

ZURN INDUSTRIES, L.L.C. ♦ SPECIFICATION DRAINAGE OPERATION ♦ 1801 Pittsburgh Ave. ♦ Erie, PA 16514

Phone: 814/455-0921 ♦ Fax: 814/454-7929 ♦ World Wide Web: www.zurn.com

In Canada: ZURN INDUSTRIES LIMITED ♦ 3544 Nashua Drive ♦ Mississauga, Ontario L4V1L2 ♦ Phone: 905/405-8272 Fax: 905/405-1292