

Location: \_\_\_\_\_



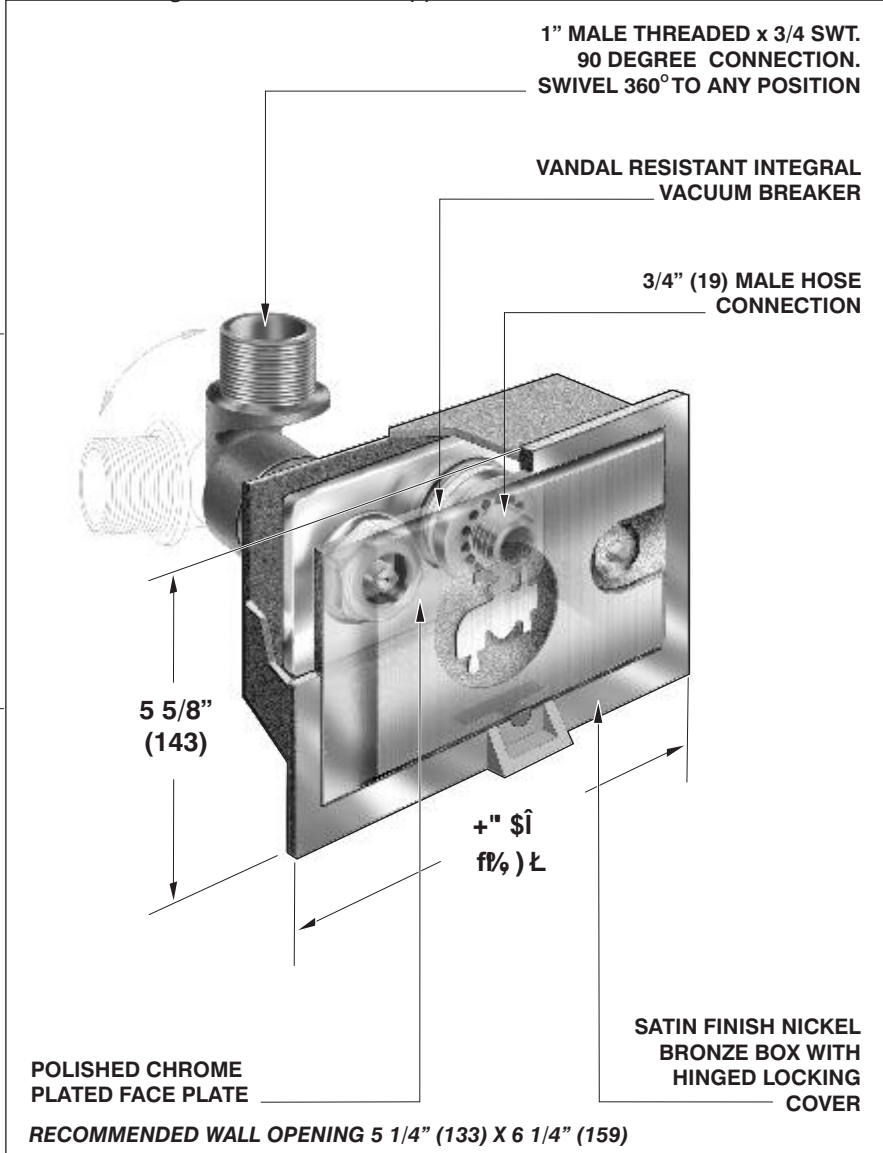
# HY-5500

## ENCASED NARROW WALL HYDRANT

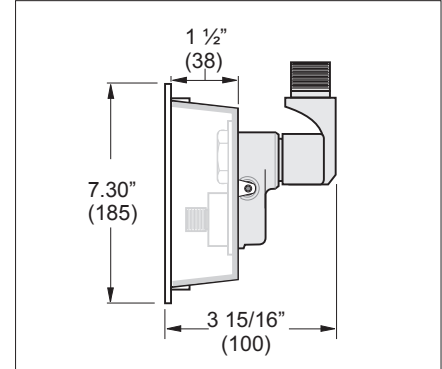
**Specification:** MIFAB® Series HY-5500 encased self draining, moderate climate narrow wall hydrant with A.S.S.E. 1011 certified anti-siphon vandal resistant vacuum breaker. Operating key furnished with each hydrant.

**Function:** Designed for commercial applications in moderate climate areas to fit within a 4" (102) wall.

Plumbing and Drainage  
Mechanical Section



Overhead view



### MIFAB® HY-5500 Series Features

- **INTERNAL COMPONENTS** - hardened bronze operating stem and one piece neoprene plunger.
- **VACUUM BREAKER** - unique self draining vandal resistant integral vacuum breaker protects from anti-siphon conditions.
- **FACE PLATE** - polished chrome plated.
- **WATER SUPPLY CONNECTION** - swivel 360° to any position.
- **APPROVALS** - HY-5500 wall hydrant is listed with I.A.P.M.O. and is manufactured with an anti-siphon vacuum breaker that is tested and certified to the A.S.S.E. Standard 1011.



(Dimension) Denotes Millimetres

MODEL NO.	OVERALL LENGTH		APPROXIMATE WEIGHT		INLET CONNECTION
	IN	MM	Lbs.	Kg.	IN
HY-5500	3 15/16	100	2	0.90	1" MALE THREADED x 3/4" SWT.

**SUFFIX OPTIONAL VARIATIONS:**

- 0 1" (25) Hose connection
- 3 Cast stainless steel hydrant box
- 49 Polished chrome plated nickel bronze box
- BA Buy American Act complaint product
- K Cylinder key lock

**SUFFIX**

- RB Fabricated stainless steel hydrant box with round back for tilt up construction
- S Four 1" x 1/4" (25 x 6) slots on top and two sides of box to receive mounting brackets
- WC Wall clamp

Job Name: \_\_\_\_\_ Page No: \_\_\_\_\_  
 Section No: \_\_\_\_\_ Contractor: \_\_\_\_\_  
 Schedule No: \_\_\_\_\_ Purchase Order No: \_\_\_\_\_

MIFAB reserves the right to make changes in material and design without formal notice and obligation.

USA: 1-800-465-2736 www.mifab.com CAN: 1-800-387-3880