

Location: _____



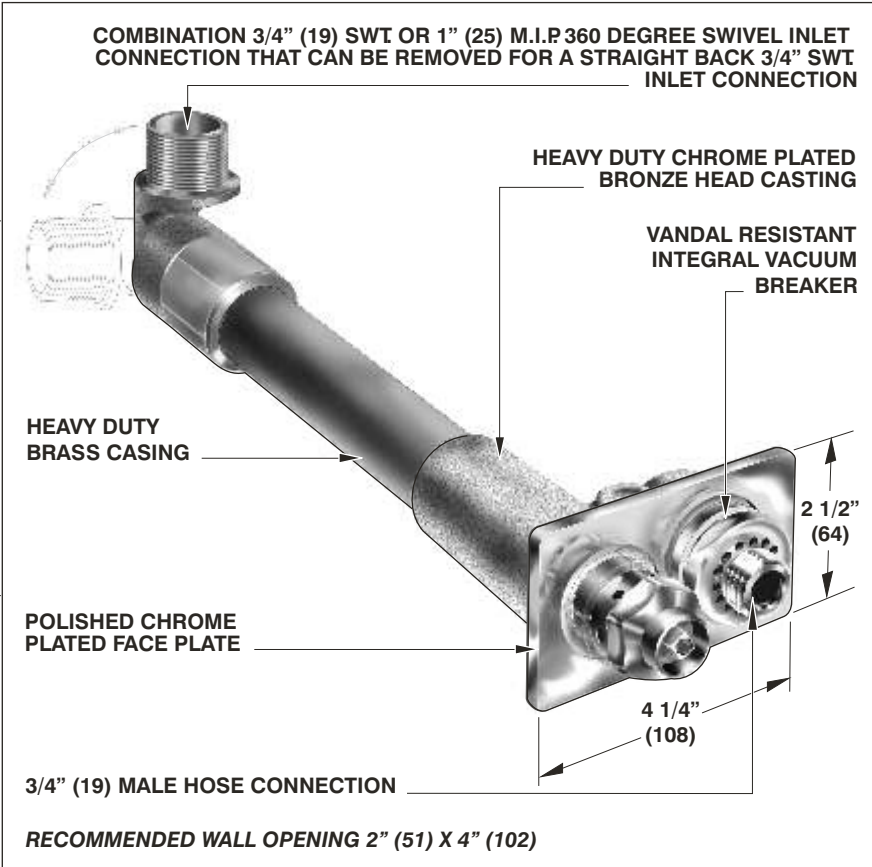
MHY-16

**NON-FREEZE
WALL HYDRANT**

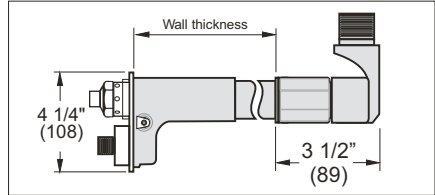
Specification: MIFAB® Series MHY-16 _____ (specify length) A.S.S.E. 1019-B certified exposed type, self draining, non freeze wall hydrant with A.S.S.E. 1011 approved anti-siphon and vandal resistant integral vacuum breaker with 3/4" (19) male hose connection. Hydrant assembly complete with neoprene plunger to control both the flow and drain functions, hardened bronze operating stem, drain port under the hexagon nut, heavy duty brass casing, 360 degree swivel inlet connection, heavy duty chrome plated bronze head casting and polished chrome plated face plate. Operating key to be furnished with each hydrant.

Function: Designed to blend in with commercial applications such as office buildings, apartment complexes, malls and shopping centers, schools, churches and industrial buildings.

Plumbing and Drainage
Mechanical Section



Overhead view



MIFAB® MHY-16 Series Features

- **SWIVEL CONNECTION** - 360 degree combination 3/4" SWT. and 1" M.I.P. Inlet connection. Swivel connection can be removed for 3/4" SWT. straight back inlet connection
- **VACUUM BREAKER** - unique self draining vandal resistant integral vacuum breaker protects from anti-siphon conditions.
- **FACE PLATE** - polished chrome plated.
- **CASING** - heavy duty brass casing.
- **APPROVALS** - MHY-16 Series wall hydrant is tested and certified by the A.S.S.E. Standard 1019-B and listed by I.A.P.M.O. The anti-siphon vacuum breaker is tested and certified to the A.S.S.E. Standard 1011 and listed by I.A.P.M.O.



(Dimension) Denotes Millimetres

MODEL NO.	WALL THICKNESS		OVERALL LENGTH		APPROXIMATE WEIGHT		SWIVEL INLET CONNECTION
	IN	MM	IN	MM	Lbs.	Kg.	IN
MHY-16-4	4	102	8	203	4.3	1.95	3/4" SWT, 1" Male IPS combination
MHY-16-6	6	152	10	254	4.7	2.13	3/4" SWT, 1" Male IPS combination
MHY-16-8	8	203	12	306	5.0	2.27	3/4" SWT, 1" Male IPS combination
MHY-16-10	10	254	14	357	5.3	2.41	3/4" SWT, 1" Male IPS combination
MHY-16-12	12	305	16	406	5.7	2.59	3/4" SWT, 1" Male IPS combination
MHY-16-14	14	356	18	457	6.0	2.72	3/4" SWT, 1" Male IPS combination
MHY-16-16	16	406	20	508	6.5	2.95	3/4" SWT, 1" Male IPS combination
MHY-16-18	18	457	22	559	7.0	3.18	3/4" SWT, 1" Male IPS combination
MHY-16-20	20	508	24	610	7.3	3.31	3/4" SWT, 1" Male IPS combination
MHY-16-22	22	559	26	660	7.7	3.50	3/4" SWT, 1" Male IPS combination
MHY-16-24	24	610	28	711	8.0	3.63	3/4" SWT, 1" Male IPS combination
MHY-16-26	26	660	30	762	8.3	3.77	3/4" SWT, 1" Male IPS combination
MHY-16-30	30	762	34	864	9.0	4.09	3/4" SWT, 1" Male IPS combination

SUFFIX **OPTIONAL VARIATIONS:**
 -0 1" (25) Hose connection

SUFFIX
 -WC Wall clamp

Job Name: _____ Page No: _____
 Section No: _____ Contractor: _____
 Schedule No: _____ Purchase Order No: _____

MIFAB reserves the right to make changes in material and design without formal notice and obligation.