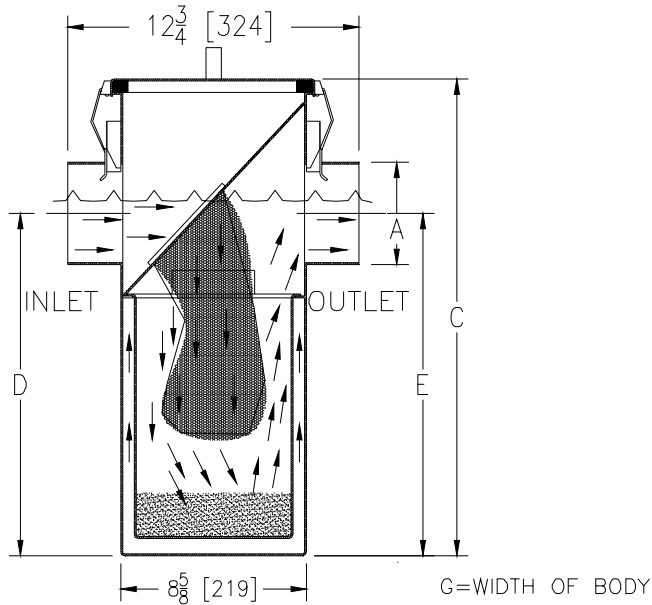




Z1183-DF

Operation and Maintenance Instructions for SOLIDS INTERCEPTOR W/ DISPOSABLE FILTER BAGS



Size	Inlet/Outlet Size	Flow Rate G.P.M. [L]	Solids Cap. of Basket Cubic Ft. [m ³]	Dimensions In Inches			No. of Filter Bags Per Unit
				C	G	D/E	
100	2 [50]	4 [15]	0.20 [0.06]	10 [254]	9 7/8 [251]	7 1/4 [184]	1
200	2 [50]	7 [26]	0.29 [0.08]	11 1/8 [283]	11 7/8 [302]	8 1/8 [206]	2
300	3 [75]	10 [38]	0.33 [0.09]	11 3/4 [298]	14 [356]	8 1/4 [210]	2
400	3 [75]	15 [57]	0.38 [0.11]	13 3/8 [340]	16 3/4 [425]	9 3/8 [238]	2
500	3 [75]	20 [76]	0.66 [0.19]	15 [381]	17 1/4 [438]	11 3/4 [298]	2
600	4 [100]	25 [95]	0.79 [0.22]	17 [432]	19 15/16 [507]	12 7/16 [316]	3
700	4 [100]	35 [132]	1.17 [0.33]	18 3/4 [476]	22 1/2 [572]	14 3/16 [360]	3
800	4 [100]	50 [189]	1.35 [0.38]	21 1/2 [546]	22 1/2 [572]	16 [406]	3
900	4 [100]	75 [284]	1.61 [0.46]	22 3/4 [578]	22 1/2 [572]	18 1/2 [470]	3

SIZING

The sizing of this interceptor relates to the size of the Z1170 grease interceptor it is being used with (see chart above). All units are made with a standard no-hub pipe size inlet and outlet, and are capable of handling drainage volumes standard to their respective pipe size.

DESIGN

The Zurn Z1183-DF Solids Interceptor is designed to recover food waste from sinks, garbage grinders and dishwashers. This is accomplished through filtration. The food wastes are retained in the disposable filter bags, while allowing waste water to pass through to the outlet drainage line.

OPERATION

The waste water flows from the inlet piping into the main body chamber. It is then redirected through the solids filter bags by the retainer plate. Solid material is captured in the filter bag allowing the waste water to pass through. Any solids that pass through the filter bag will settle into the removable sediment basket. The filtered waste water then exits the interceptor to the sanitary drain system.

MAINTENANCE

Cleaning should be done on a regular basis, before the sediment basket or filter bags become clogged. Remove the cover, lift out the filter bags from the retainer plate and properly dispose of them. Remove the retainer plate and sediment basket and clean out all debris, hosing off the interior as necessary. Replace the basket and retainer plate into the interceptor. Insert clean filter bags into the retainer plate. Make certain cover gasket is intact and clean. Apply a light coating of oil on the cover gasket, which helps prevent the cover gasket from adhering to cover and aids in maintaining a complete seal. The cover should then be placed back on the unit and secured. Efficiency of operation is directly related to the level of maintenance.

Form # IT81 Date: 1/28/04 C.N. No. 91899 Rev.